

# LOCKR HASP

## COMBINATION LOCK

### SIMPLE AND EFFECTIVE

Designed for lockers up to 20mm thick as well as for metal lockers.

Its robustness, high resistance to humidity and an easy to mount system offer a simple and effective solution for heavy duty use in collective installations.

Equipped with the OJMAR patented anti-rotation system.



INTELLIGENT LOCKING SYSTEMS



# LOCKR HASP

## COMBINATION LOCK



NUT MOUNTING  
FRONT



NUT MOUNTING  
BACK



SCREW MOUNTING  
FRONT



SCREW MOUNTING  
BACK

### HASP LOCK

#### TECHNICAL SPECIFICATIONS

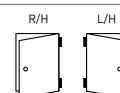
CODE  
ROTATION  
CLOSING  
FINISHES  
MATERIALS

### NUT MOUNTING

RIGHT : 039.MMD0045CR  
LEFT : 039.MMI0045CR  
180°  
With padlock of up to 8mm diameter.  
Chrome.  
Lock in zamak and Cam in steel.

### SCREW MOUNTING

RIGHT : 039.0D0045CR  
LEFT : 039.0I0045CR  
180°  
With padlock of up to 8mm diameter.  
Chrome.  
Lock in zamak and Cam in steel.



#### MECHANICAL REQUIREMENTS

60,000 cycles according to the LGA guidelines.  
48 hours in salt spray test.  
Resistance: 1000N

60,000 cycles according to the LGA guidelines.  
48 hours in salt spray test.  
Resistance: 1000N

#### ACCESSORIES (OPTIONAL)

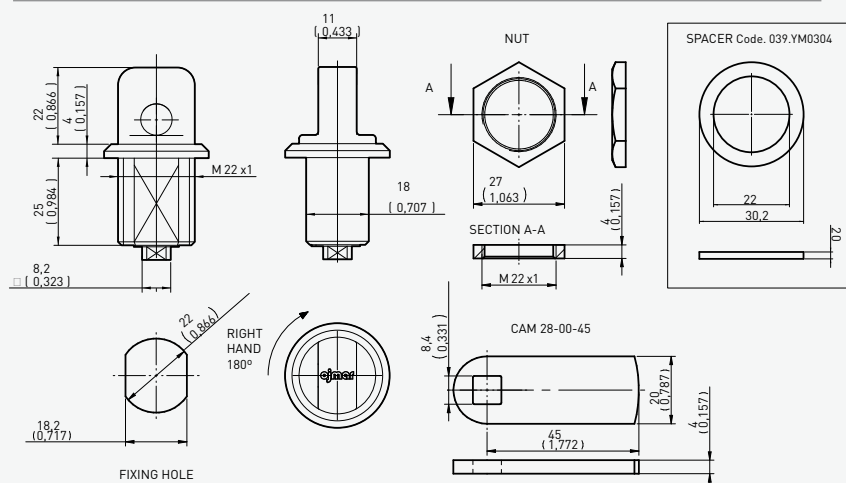
PADLOCKS \*

Spacer Code 039.YM0304  
Padlocks available on request.

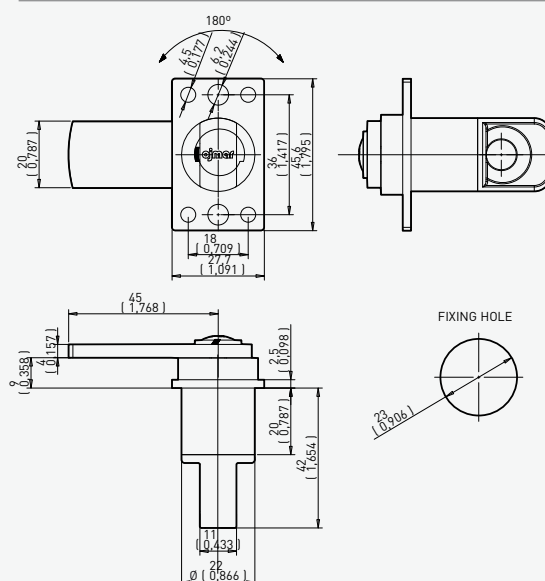
Backplate for OTS and coin lock footprint. Code 039.002PN  
Padlocks available on request.

### TECHNICAL DRAWINGS

#### NUT MOUNTING DRAWN POSITION: RIGHT HAND.



#### SCREW MOUNTING DRAWN POSITION: RIGHT HAND.



NOTE: Other cams available on request.



INTELLIGENT LOCKING SYSTEMS

Polígono Industrial de Lerun, s/n  
20870 Elgoibar · Spain  
T. +34 943 748484  
www.ojmar.com

