

Gemini Mechanical Combination Lock 2700



Product Description

The Gemini 2700 mechanical combination lock is a 4 wheel combination lock featuring up to 10,000 unique combinations that is available in either mechanical or **digital** form.

Both versions share the same profile and fixing template, giving maximum flexibility and choice at the point of installation.

This innovative lock range is available in both flush and surface mount form and in a choice of standard or custom colours.

The small footprint and option of vertical or horizontal orientation make Gemini the perfect choice for a wide range of applications, including lockers, cabinets and cupboards.

Download the brochure here User and Installation Guides can be found on our **Downloads** page.

Please Note: This lock is not suitable for use in 'Public Mode'.

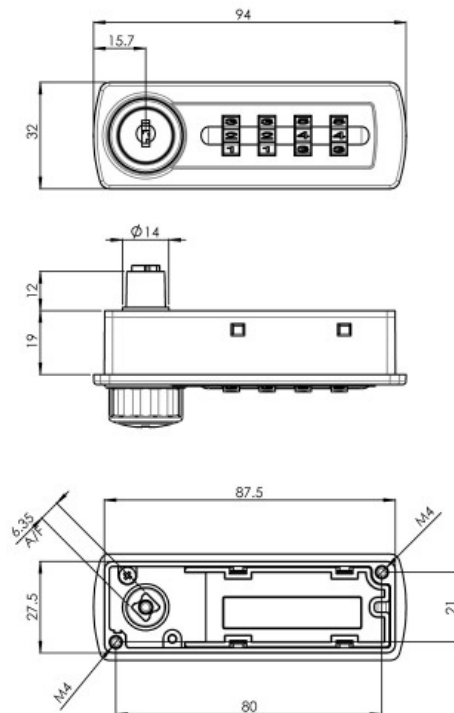
Ready to order? Download and complete the **Order Specification** form here! Simply complete the form with your preferred choices and email it to **sales**.

- Black, white or silver colour
- Flush or surface mounting
- Vertical, left and right hand fixing
- Four digit User Code
- Lost code finder key
- Easy code change

Options

Product Code	Body Length	Body width	Body height	Body depth	Code Combinations	Movement
2700	12	94	32	19	10,000	90°

Technical Drawing





A Lowe & Fletcher Group Company